

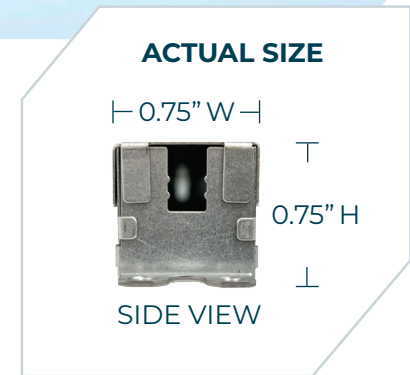
INTRODUCING THE PENCIL PROGRAMMABLE DIMMING LED DRIVER



At 0.75 inches wide, 0.75 inches high, The Pencil™ is the smallest, most narrow driver on the market.

FEATURES:

- **Up to 3X wider voltage** range on 30 W models requiring less inventory
- The industry's most popular dimming option: **0-10 V**, made better with deep dimming technology **100% down to 0.5% to off**
- **Smallest, most narrow programmable driver** on the market today.
- Designed specifically for **architectural lighting fixtures**, The Pencil™ fits where the others can't.
- **UL Class P**



Ultra-narrow, super-short. These LED drivers are available in 30W, 25W & 12W.

Wattage	Model Number	Dimensions L x W x H	Input/Output Power	Input Current	Output Current	Output Voltage	Efficiency
30 W	AC30CD700APT7L	5.5" X 0.75" X 0.75"	35 W / 30 W	0.29 A @ 120 V 0.13 A @ 277 V	125 - 700 mA (+/- 5%)	9 - 42 V	86%
25 W	AC25CD1.05APT7L	5.5" X 0.75" X 0.75"	30 W / 25 W	0.25 A @ 120 V 0.11 A @ 277 V	150 - 1050 mA (+/- 5%)	11 - 24 V	83%
12 W	AC12CD350APT7L	5.5" X 0.75" X 0.75"	14 W / 12 W	0.15 A @ 120 V 0.06 A @ 277 V	140 - 350 mA (+/- 5%)	9 - 32 V	84%

Evaluation samples are available for immediate shipment for qualified customers.

To order or consult with one of our engineers, contact us at:

888.WPG.8881
www.wpgamericas.com