

Through-Hole LED

Kingbright through-hole LEDs are available with a variety of sizes, shapes, viewing angles, color combinations, lens types and brightness. Our extensive selection fulfills virtually any need in through-hole LED applications.



25 /
Round LED

27 /
Cylindrical LED


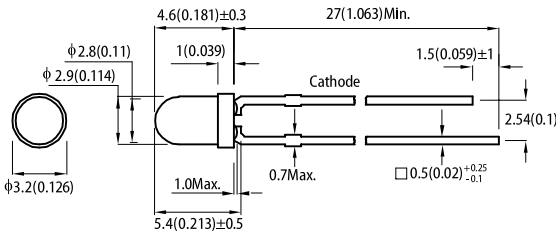

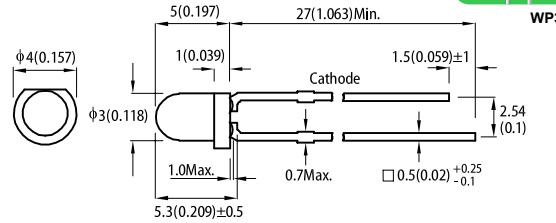

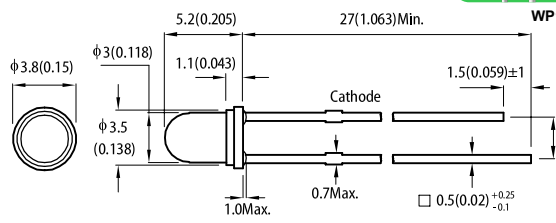
28 /
Multi-Color LED

27 /
Rectangular LED

28 /
Light Bar


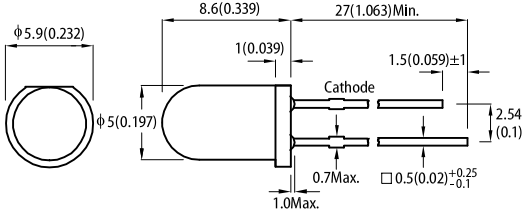

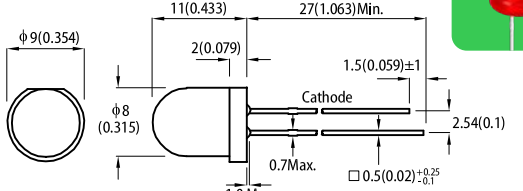

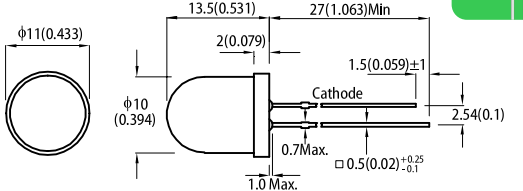
29 /
Low Current LED

ROUND LED


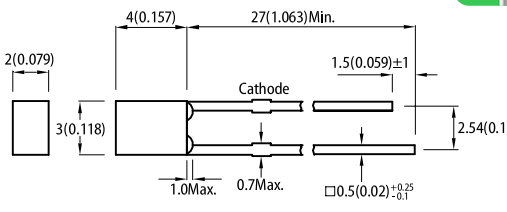

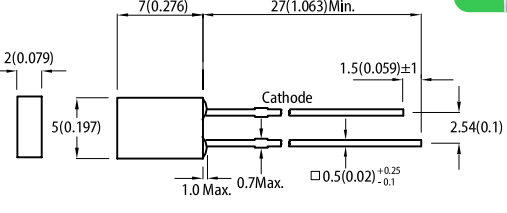
| Part Number | Material | λD (nm) | Lens Type | Iv (mcd) @20mA | | Viewing Angle 2θ1/2 | Dimensions |
|-----------------|----------|---------|-------------------|----------------|-------|---------------------|---|
| | | | | Min. | Typ. | | |
| WP710A10SRC/J4 | AlGaN | 640 | Water Clear | 1000 | 1500 | 30° | T-1 (3mm) Round  WP710A10  |
| WP710A10SRD/J4 | AlGaN | 640 | Red Diffused | 400 | 800 | 50° | |
| WP710A10SURCK | AlGaN | 630 | Water Clear | 400 | 900 | 30° | |
| WP710A10SURDK | AlGaN | 630 | Red Diffused | 200 | 400 | 50° | |
| WP710A10SURTK | AlGaN | 630 | Red Transparent | 400 | 900 | 30° | |
| WP710A10SURC/E | AlGaN | 630 | Water Clear | 500 | 1100 | 30° | |
| WP710A10SECK/J3 | AlGaN | 625 | Water Clear | 2300 | 3600 | 30° | |
| WP710A10SECK/J4 | AlGaN | 605 | Water Clear | 3600 | 6000 | 30° | |
| WP710A10SED | AlGaN | 605 | Orange Diffused | 300 | 650 | 50° | |
| WP710A10SECK | AlGaN | 605 | Water Clear | 700 | 1400 | 30° | |
| WP710A10SEDK | AlGaN | 605 | Orange Diffused | 250 | 600 | 50° | |
| WP710A10SYD | AlGaN | 590 | Yellow Diffused | 480 | 900 | 50° | |
| WP710A10SYCK | AlGaN | 590 | Water Clear | 700 | 1500 | 30° | |
| WP710A10SYDK | AlGaN | 590 | Yellow Diffused | 400 | 800 | 50° | |
| WP710A10SYCK/J3 | AlGaN | 590 | Water Clear | 1900 | 3000 | 30° | |
| WP710A10CGCK | AlGaN | 570 | Water Clear | 300 | 600 | 30° | |
| WP710A10CGDK | AlGaN | 570 | Green Diffused | 80 | 250 | 50° | |
| WP710A10CGTK | AlGaN | 570 | Green Transparent | 300 | 600 | 30° | |
| WP710A10ZGCK | InGaN | 525 | Water Clear | 8000 | 14000 | 30° | |
| WP710A10ZGDK | InGaN | 525 | Green Diffused | 900 | 1500 | 50° | |
| WP710A10ZGC/G | InGaN | 525 | Water Clear | 10500 | 16500 | 30° | |
| WP710A10VBC/D | InGaN | 470 | Water Clear | 3600 | 5000 | 30° | |
| WP710A10QBC/D | InGaN | 465 | Water Clear | 1300 | 2300 | 30° | |
| WP710A10QBD/D | InGaN | 465 | Blue Diffused | 1000 | 2000 | 50° | |
| WP3A10SURDK | AlGaN | 630 | Red Diffused | 100 | 250 | 60° | T-1 (3mm) Round  WP3A10  |
| WP3A10SYDK | AlGaN | 590 | Yellow Diffused | 300 | 500 | 60° | |
| WP3A10CGDK | AlGaN | 570 | Green Diffused | 80 | 150 | 60° | |
| WP132XSURDK | AlGaN | 630 | Red Diffused | 180 | 360 | 60° | T-1 (3mm) Round  WP132X  |
| WP132XSURTK | AlGaN | 630 | Red Transparent | 230 | 430 | 50° | |
| WP132XSYPDK | AlGaN | 590 | Yellow Diffused | 300 | 600 | 60° | |
| WP132XCAGDK | AlGaN | 570 | Green Diffused | 60 | 140 | 60° | |

All dimensions are in millimeters (inches). Tolerance is ± 0.25mm (0.01") unless otherwise noted.


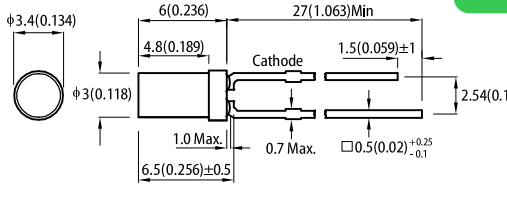

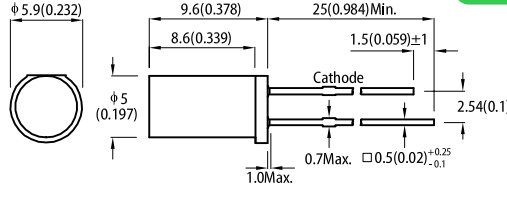
ROUND LED

| Part Number | Material | λD (nm) | Lens Type | Iv (mcd) @20mA | | Viewing Angle | Dimensions |
|---------------|----------|---------|-----------------|----------------|-------|---------------|--|
| | | | | Min. | Typ. | | |
| WP7113SRC/J4 | AlGaInP | 640 | Water Clear | 2300 | 3700 | 20° | T-1 3/4 (5mm) Round  WP7113  |
| WP7113SRD/J4 | AlGaInP | 640 | Red Diffused | 550 | 900 | 30° | |
| WP7113SURCK | AlGaInP | 630 | Water Clear | 1000 | 1900 | 20° | |
| WP7113SURDK | AlGaInP | 630 | Red Diffused | 400 | 750 | 30° | |
| WP7113SURC/E | AlGaInP | 630 | Water Clear | 2300 | 3300 | 20° | |
| WP7113SECK/J3 | AlGaInP | 625 | Water Clear | 5000 | 8500 | 20° | |
| WP7113SED | AlGaInP | 605 | Orange Diffused | 600 | 1000 | 30° | |
| WP7113SECK | AlGaInP | 605 | Water Clear | 1300 | 2100 | 20° | |
| WP7113SYD | AlGaInP | 590 | Yellow Diffused | 650 | 1200 | 30° | |
| WP7113SYCK | AlGaInP | 590 | Water Clear | 1800 | 3000 | 20° | |
| WP7113SYDK | AlGaInP | 590 | Yellow Diffused | 500 | 1000 | 30° | |
| WP7113SYCK/J3 | AlGaInP | 590 | Water Clear | 5000 | 7800 | 20° | |
| WP7113CGCK | AlGaInP | 570 | Water Clear | 700 | 1400 | 20° | |
| WP7113CGDK | AlGaInP | 570 | Green Diffused | 50 | 140 | 30° | |
| WP7113ZGCK | InGaN | 525 | Water Clear | 14000 | 26000 | 20° | |
| WP7113ZGDK | InGaN | 525 | Green Diffused | 700 | 1200 | 30° | |
| WP7113ZGC/G | InGaN | 525 | Water Clear | 18000 | 30000 | 20° | |
| WP7113VBC/D | InGaN | 470 | Water Clear | 4300 | 7000 | 20° | |
| WP7113QBC/D | InGaN | 465 | Water Clear | 3100 | 4500 | 20° | |
| WP7113QBD/D | InGaN | 465 | Blue Diffused | 700 | 1600 | 30° | |
| WP1503SRC/J4 | AlGaInP | 640 | Water Clear | 3100 | 5200 | 20° | |
| WP1503SURDK | AlGaInP | 630 | Red Diffused | 600 | 1000 | 30° | |
| WP1503CGDK | AlGaInP | 570 | Green Diffused | 100 | 200 | 30° | |
| WP793SRD/J4 | AlGaInP | 640 | Red Diffused | 500 | 1000 | 30° | 8mm Round  WP793  |
| WP813SRC/J4 | AlGaInP | 640 | Water Clear | 3600 | 7500 | 15° | |
| WP813SRD/J4 | AlGaInP | 640 | Red Diffused | 400 | 800 | 30° | 10mm Round  WP813  |
| WP813CGDK | AlGaInP | 570 | Green Diffused | 55 | 100 | 30° | |

RECTANGULAR LED

| Part Number | Material | λ_D (nm) | Lens Type | Iv (mcd) @20mA | | Viewing Angle 2 θ 1/2 | Dimensions |
|-------------|--------------------|------------------|-----------------|----------------|------|------------------------------|---|
| | | | | Min. | Typ. | | |
| WP914SURDK | AlGaN _P | 630 | Red Diffused | 25 | 60 | 140° | 2mm x 3mm Rectangular   |
| WP113SURDKT | AlGaN _P | 630 | Red Diffused | 25 | 50 | 140° | 2mm x 5mm Rectangular   |
| WP113SYDTK | AlGaN _P | 590 | Yellow Diffused | 70 | 120 | 140° | |
| WP113CGKDT | AlGaN _P | 570 | Green Diffused | 10 | 30 | 140° | |

CYLINDRICAL LED

| Part Number | Material | λ_D (nm) | Lens Type | Iv (mcd) @20mA | | Viewing Angle 2 θ 1/2 | Dimensions |
|-------------|--------------------|------------------|-----------------|----------------|------|------------------------------|---|
| | | | | Min. | Typ. | | |
| WP424SYDTK | AlGaN _P | 590 | Yellow Diffused | 55 | 120 | 140° | T-1 (3mm) Cylindrical   |
| WP483SURDKT | AlGaN _P | 630 | Red Diffused | 30 | 70 | 140° | T-1 3/4 (5mm) Cylindrical   |

All dimensions are in millimeters (inches). Tolerance is $\pm 0.25\text{mm}$ (0.01") unless otherwise noted.

LIGHT BAR

| Part Number | Material | λD (nm) | Lens Type | Iv (mcd) @20mA | | Viewing Angle | Dimensions |
|--------------|----------|---------|-----------------|----------------|------|---------------|-------------------------------|
| | | | | Min. | Typ. | | |
| WP1043SURDTK | AlGaInP | 630 | Red Diffused | 30 | 60 | 140° | 3.65mm x 6.15mm WP1043 |
| WP1043SYDTK | AlGaInP | 590 | Yellow Diffused | 80 | 150 | 140° | |
| WP1043CGDTK | AlGaInP | 570 | Green Diffused | 8 | 20 | 140° | |

MULTI-COLOR LED

| Part Number | Material | λD (nm) | Lens Type | Iv (mcd) @20mA | | Viewing Angle | Dimensions |
|---------------|----------|---------|----------------|----------------|------|---------------|--|
| | | | | Min. | Typ. | | |
| WP937SURKCGKW | AlGaInP | 630 | White Diffused | 55 | 110 | 60° | T-1 (3mm) Round WP937 |
| | AlGaInP | 570 | | 40 | 80 | | |
| WP937CGKSYKW | AlGaInP | 570 | White Diffused | 40 | 80 | 60° | Red 1, Green 2; Green 1, Yellow 2 |
| | AlGaInP | 590 | | 80 | 230 | | |
| WP3VSURKCGKW | AlGaInP | 630 | White Diffused | 80 | 160 | 60° | T-1 (3mm) Round WP3V |
| | AlGaInP | 570 | | 40 | 100 | | |
| WP3VCGKSYKW | AlGaInP | 570 | White Diffused | 55 | 100 | 60° | Red 1, Green 2, Green 3; Green 1, Yellow 2, Yellow 3 |
| | AlGaInP | 590 | | 120 | 250 | | |
| WP57SURKCGKW | AlGaInP | 630 | White Diffused | 80 | 150 | 30° | T-1 3/4 (5mm) Round WP57 |
| | AlGaInP | 570 | | 60 | 120 | | |
| WP57CGKSYKW | AlGaInP | 570 | White Diffused | 60 | 120 | 30° | Red 1, Green 2; Green 1, Yellow 2 |
| | AlGaInP | 590 | | 80 | 180 | | |

MULTI-COLOR LED

| Part Number | Material | λD (nm) | Lens Type | Iv (mcd) @20mA | | Viewing Angle 2θ1/2 | Dimensions |
|----------------------|----------|---------|----------------|----------------|------|---------------------|------------------------------|
| | | | | Min. | Typ. | | |
| WP59SURKCGKW | AlGaInP | 630 | White Diffused | 200 | 400 | 30° | T-1 3/4 (5mm) Round |
| | AlGaInP | 570 | | 80 | 180 | | |
| WP59SURKCGKC | AlGaInP | 630 | Water Clear | 700 | 1500 | 20° | T-1 3/4 (5mm) Round |
| | AlGaInP | 570 | | 450 | 900 | | |
| WP154A4SUREQBFZGC | AlGaInP | 630 | Water Clear | 200 | 400 | 50° | T-1 3/4 (5mm) Full color |
| | InGaN | 465 | | 400 | 900 | | |
| | InGaN | 525 | | 1900 | 3600 | | |
| WP154A4SUREQBFZGW | AlGaInP | 630 | White Diffused | 120 | 250 | 60° | T-1 3/4 (5mm) Full color |
| | InGaN | 465 | | 300 | 500 | | |
| | InGaN | 525 | | 600 | 1300 | | |
| WP154A4SEJ3VBDZGW/CA | AlGaInP | 625 | White Diffused | 900 | 1500 | 60° | T-1 3/4 (5mm) Full color |
| | InGaN | 470 | | 200 | 400 | | |
| | InGaN | 525 | | 480 | 1100 | | |

LOW CURRENT LED

| Part Number | Material | λD (nm) | Lens Type | Iv (mcd) @2mA | | Viewing Angle 2θ1/2 | Dimensions |
|------------------|----------|---------|-----------------|---------------|------|---------------------|-------------------------|
| | | | | Min. | Typ. | | |
| WP710A10LSURDK | AlGaInP | 630 | Red Diffused | 10 | 20 | 50° | T-1 (3mm) Round |
| WP710A10LSYCK/J3 | AlGaInP | 590 | Water Clear | 120 | 200 | 30° | |
| WP710A10LSYDK | AlGaInP | 590 | Yellow Diffused | 25 | 50 | 50° | |
| WP710A10LCGDK | AlGaInP | 570 | Green Diffused | 4 | 8 | 50° | |
| WP710A10LZGCK | InGaN | 525 | Water Clear | 500 | 1100 | 30° | |
| WP710A10LVBC/D | InGaN | 470 | Water Clear | 320 | 700 | 30° | |
| WP7113LSURDK | AlGaInP | 630 | Red Diffused | 40 | 70 | 30° | T-1 3/4 (5mm) Round |
| WP7113LSECK/J3 | AlGaInP | 625 | Water Clear | 400 | 1000 | 20° | |
| WP7113LSYCK/J3 | AlGaInP | 590 | Water Clear | 320 | 800 | 20° | |
| WP7113LSYDK | AlGaInP | 590 | Yellow Diffused | 20 | 70 | 30° | |
| WP7113LCGDK | AlGaInP | 570 | Green Diffused | 6 | 12 | 30° | |
| WP7113LZGCK | InGaN | 525 | Water Clear | 1000 | 3000 | 20° | |
| WP7113LVBC/D | InGaN | 470 | Water Clear | 550 | 1600 | 20° | |

All dimensions are in millimeters (inches). Tolerance is ± 0.25mm (0.01") unless otherwise noted.